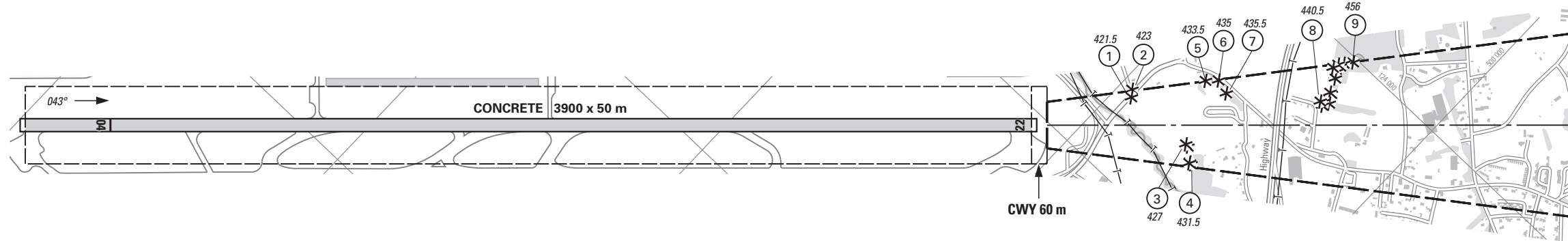
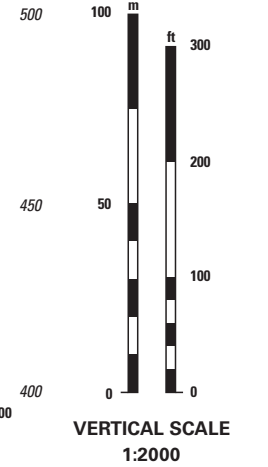
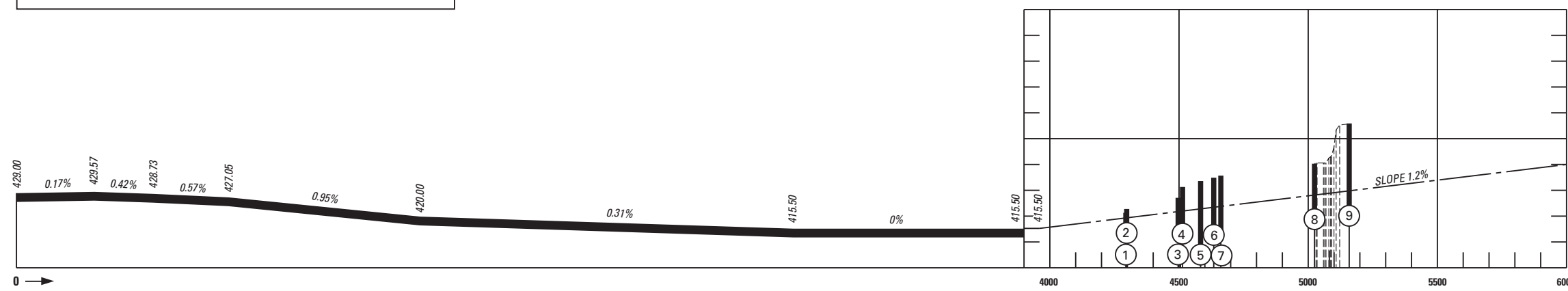


VAR 3° E (2024.5)

RWY: 04

| RWY 04 | DECLARED DISTANCES in m            | RWY 22 |
|--------|------------------------------------|--------|
| 3900   | TAKE-OFF RUN AVAILABLE             | —      |
| 3960   | TAKE-OFF DISTANCE AVAILABLE        | —      |
| 3900   | ACCELERATE STOP DISTANCE AVAILABLE | —      |
| —      | LANDING DISTANCE AVAILABLE         | 3900   |



| AMDT RECORD |      |            |
|-------------|------|------------|
| No.         | DATE | ENTERED BY |
|             |      |            |

| LEGEND |                                   |
|--------|-----------------------------------|
| ①      | Identification number             |
| *      | Tree, shrub                       |
| —      | Tree                              |
| — —    | Transmission line, overhead cable |

OBST ELEV in m  
AD ELEV in m

ORDER OF ACCURACY ACCORDING TO ICAO REQUIREMENTS

© swisstopo

COR: editorial (WEF 20FEB2025)

THIS PAGE INTENTIONALLY LEFT BLANK