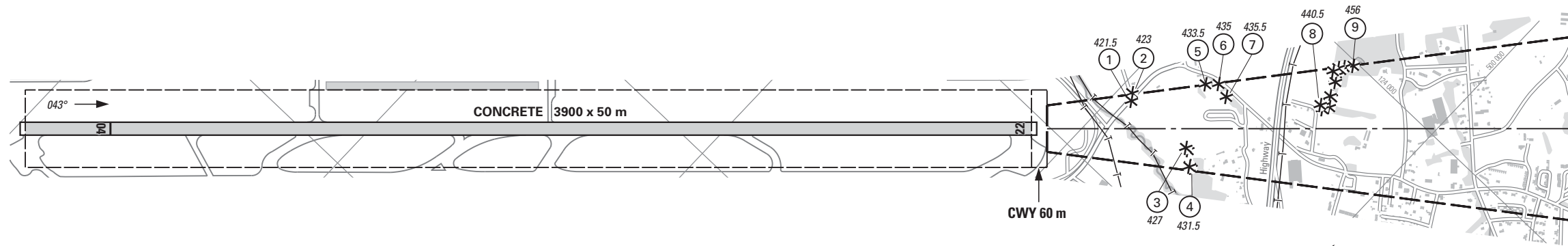
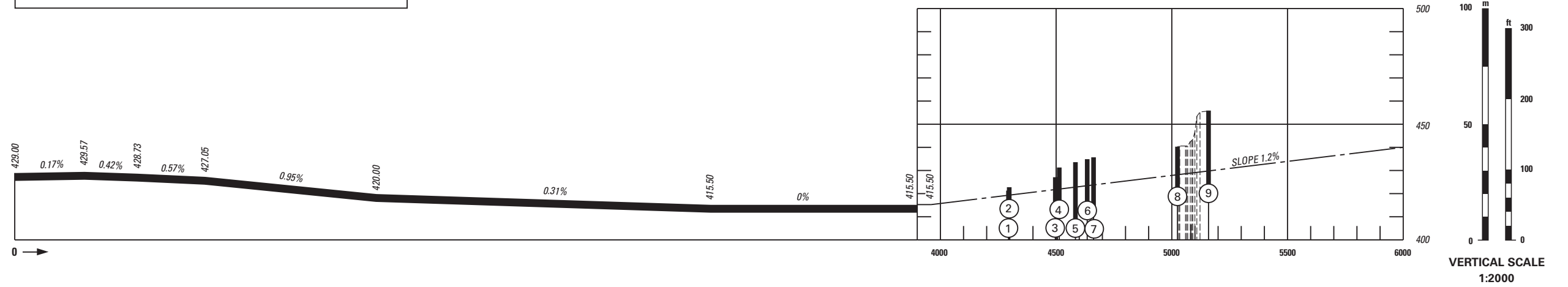


VAR 3° E (2024.5)

**RWY: 04**

RWY 04	DECLARED DISTANCES in m	RWY 22
3900	TAKE-OFF RUN AVAILABLE	—
3960	TAKE-OFF DISTANCE AVAILABLE	—
3900	ACCELERATE STOP DISTANCE AVAILABLE	—
—	LANDING DISTANCE AVAILABLE	3900



AMDT RECORD		
No.	DATE	ENTERED BY

LEGEND	
①	Identification number
*	Tree, shrub
—	Tree
— —	Transmission line, overhead cable

OBST ELEV in m  
AD ELEV in m

ORDER OF ACCURACY ACCORDING TO ICAO REQUIREMENTS

© swisstopo

COR: editorial (WEF 20FEB2025)

THIS PAGE INTENTIONALLY LEFT BLANK