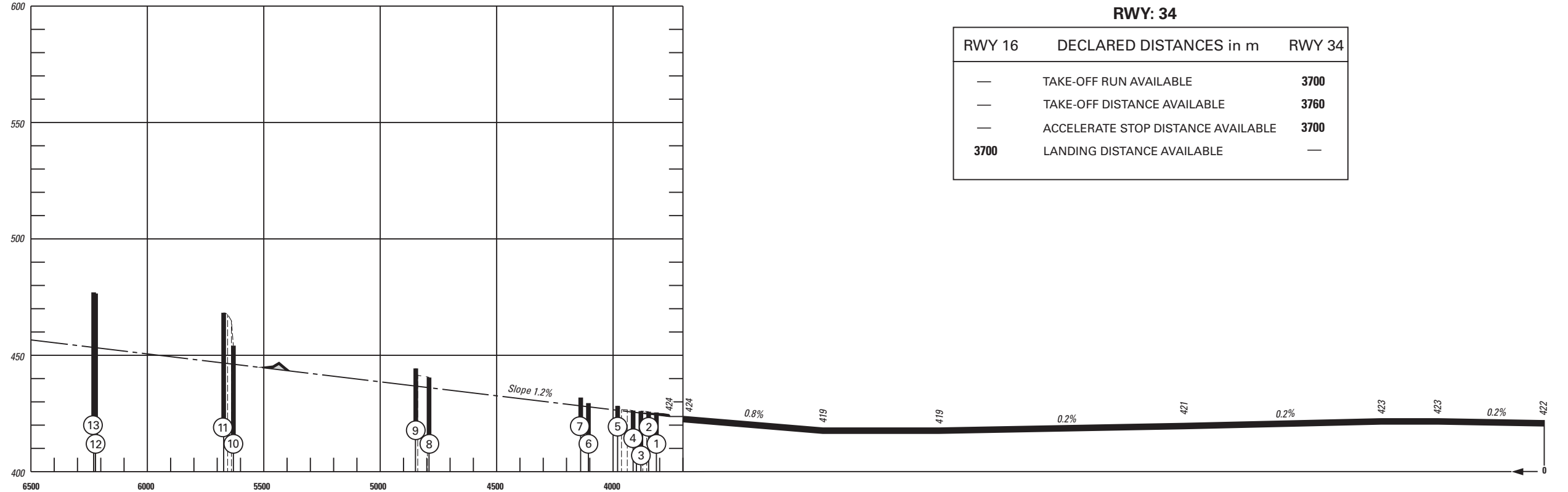
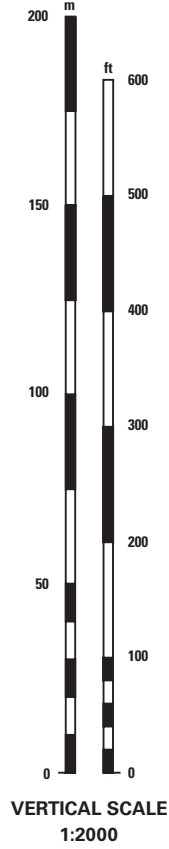
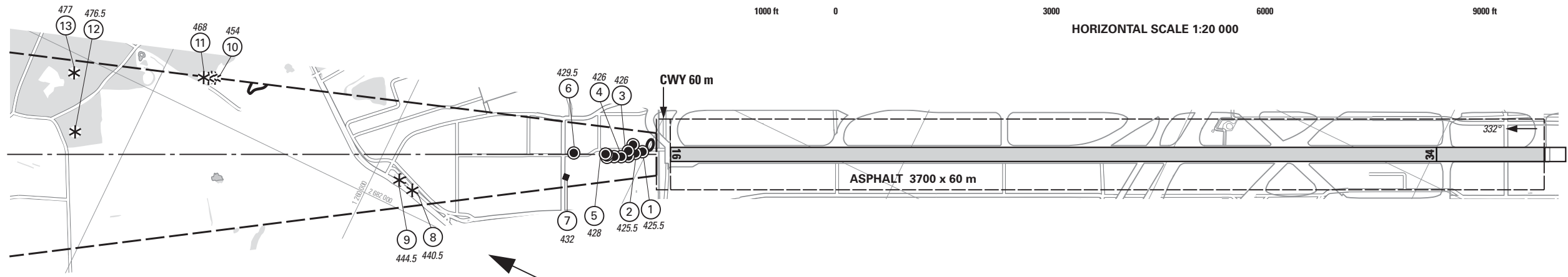


VAR 3°E (2020.5)



RWY: 34		
RWY 16	DECLARED DISTANCES in m	RWY 34
—	TAKE-OFF RUN AVAILABLE	3700
—	TAKE-OFF DISTANCE AVAILABLE	3760
—	ACCELERATE STOP DISTANCE AVAILABLE	3700
3700	LANDING DISTANCE AVAILABLE	—



AMDT RECORD		
No.	DATE	ENTERED BY

- LEGEND**
- ① Identification number
 - * Tree, shrub
 - Pole, tower, spire, antenna, etc.
 - Building, large structure
 - ⌒ Terrain penetrating obstacle plane

OBST ELEV in m
AD ELEV in m
ORDER OF ACCURACY ACCORDING TO ICAO REQUIREMENTS

COR: editorial (WEF 20MAR2025)

© swisstopo

THIS PAGE INTENTIONALLY LEFT BLANK