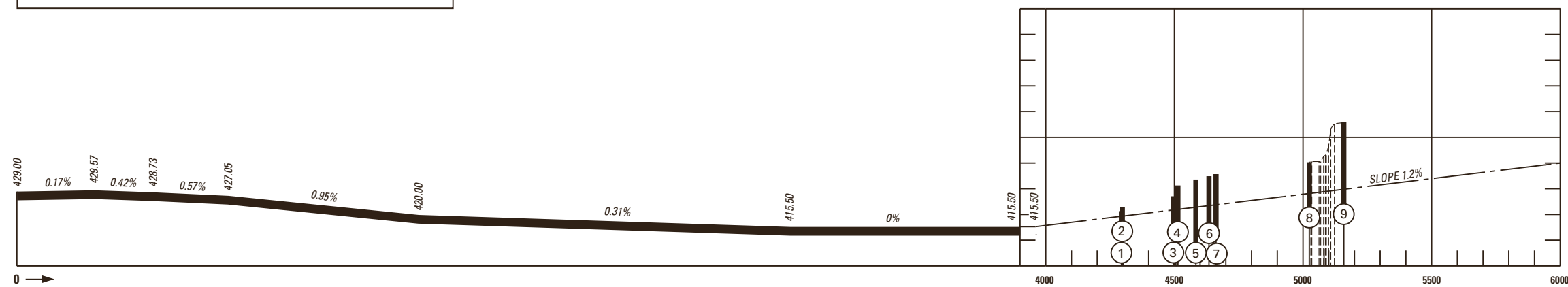


VAR 2° E (2018.5)

RWY: 04

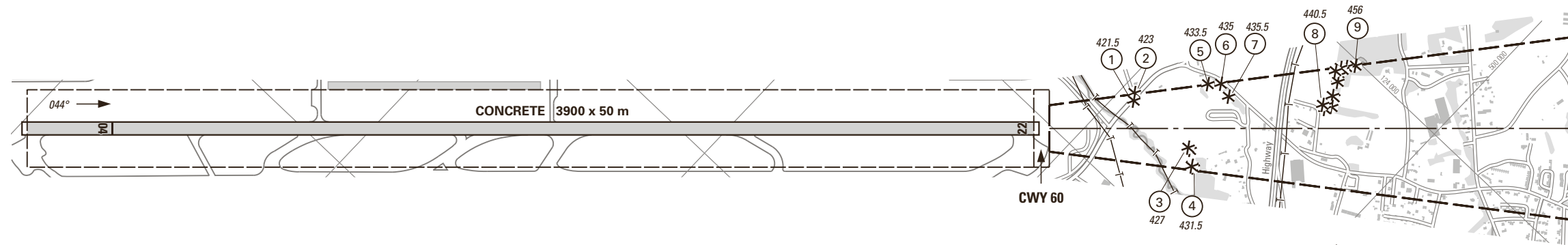
RWY 04	DECLARED DISTANCES in m	RWY 22
3900	TAKE-OFF RUN AVAILABLE	—
3960	TAKE-OFF DISTANCE AVAILABLE	—
3900	ACCELERATE STOP DISTANCE AVAILABLE	—
—	LANDING DISTANCE AVAILABLE	3900



VERTICAL SCALE
1:2000



HORIZONTAL SCALE 1:20 000



AMDT RECORD		
No.	DATE	ENTERED BY

LEGEND

- ① Identification number
- * Tree, shrub
- Tree
- Transmission line, overhead cable

OBST ELEV in m
AD ELEV in m

ORDER OF ACCURACY ACCORDING TO ICAO REQUIREMENTS

© 2022 swisstopo

18th Edition

COR: completely revised (WEF 24MAR2022)

THIS PAGE INTENTIONALLY LEFT BLANK