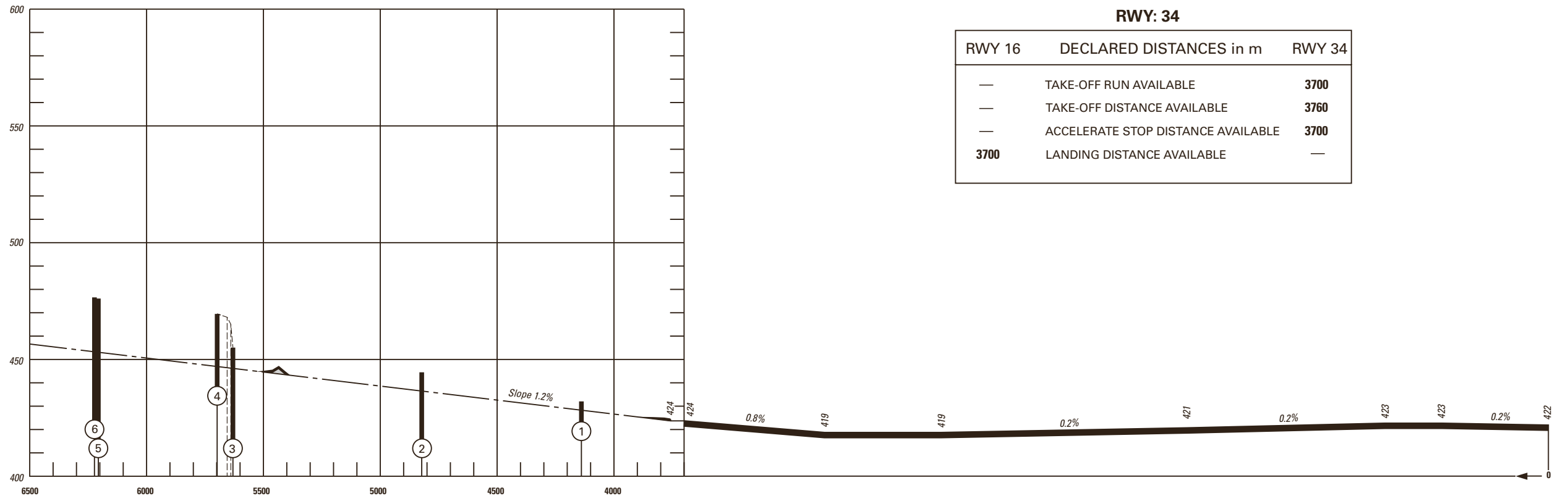
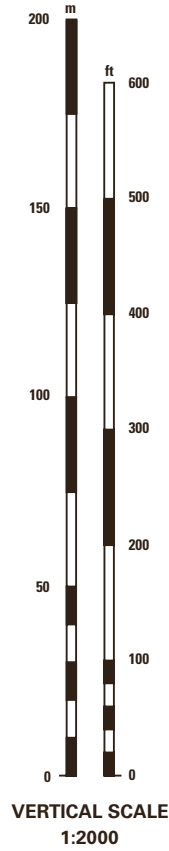
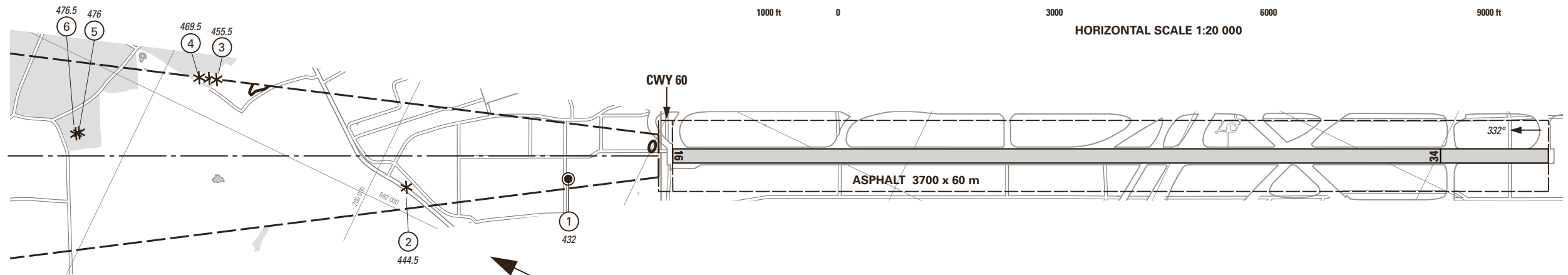


VAR 3°E (2020.5)



RWY: 34		
RWY 16	DECLARED DISTANCES in m	RWY 34
—	TAKE-OFF RUN AVAILABLE	3700
—	TAKE-OFF DISTANCE AVAILABLE	3760
—	ACCELERATE STOP DISTANCE AVAILABLE	3700
3700	LANDING DISTANCE AVAILABLE	—



AMDT RECORD		
No.	DATE	ENTERED BY

LEGEND	
①	Identification number
*	Tree, shrub
●	Pole, tower, spire, antenna, etc.
—	Railroad
⌒	Terrain penetrating obstacle plane

OBST ELEV in m
AD ELEV in m
ORDER OF ACCURACY ACCORDING TO ICAO REQUIREMENTS

COR: OBST number 1 deleted, OBST renumeration, MAG VAR

12th Edition

© 2021 Swisstopo. CH-3084 Wabern

THIS PAGE INTENTIONALLY LEFT BLANK