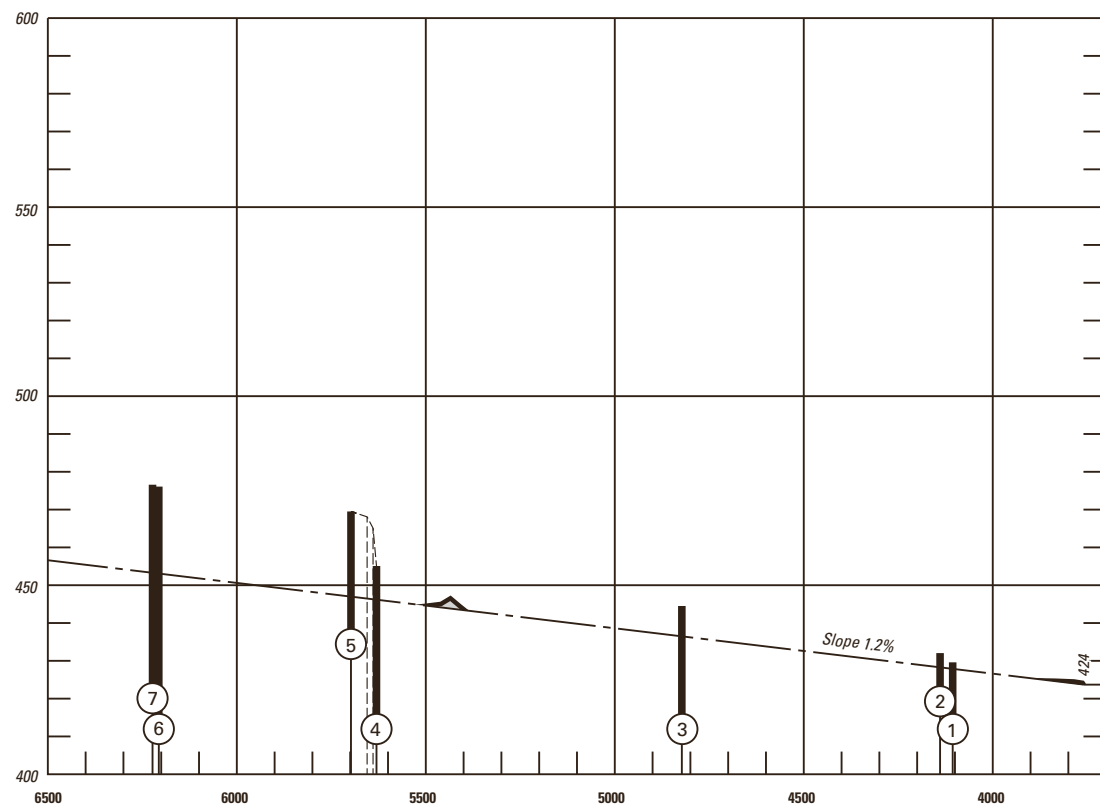
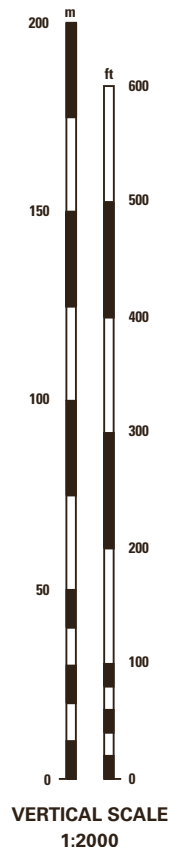
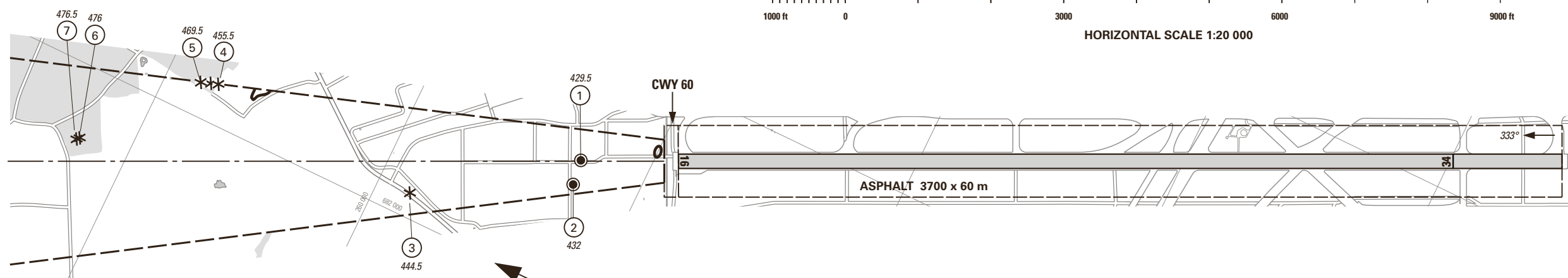


VAR 2°E (2015.5)



RWY: 34		
RWY 16	DECLARED DISTANCES in m	RWY 34
---	TAKE-OFF RUN AVAILABLE	3700
---	TAKE-OFF DISTANCE AVAILABLE	3760
---	ACCELERATE STOP DISTANCE AVAILABLE	3700
3700	LANDING DISTANCE AVAILABLE	---



AMDT RECORD		
No.	DATE	ENTERED BY

LEGEND	
①	Identification number
*	Tree, shrub
●	Pole, tower, spire, antenna, etc.
—	Railroad
⌒	Terrain penetrating obstacle plane

OBST ELEV in m  
AD ELEV in m  
ORDER OF ACCURACY ACCORDING TO ICAO REQUIREMENTS

COR: completely revised

11th Edition

© 2015 Swisstopo. CH-3084 Wabern

THIS PAGE INTENTIONALLY LEFT BLANK